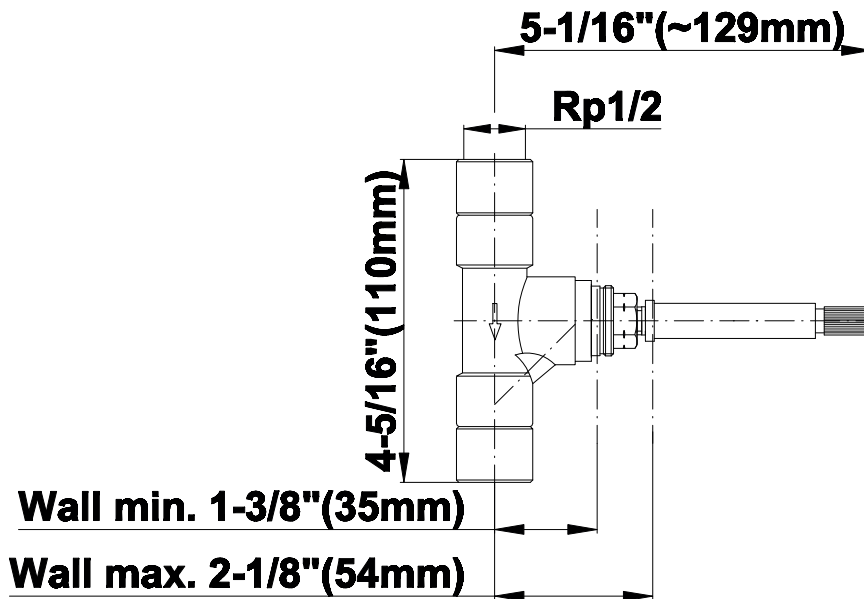


440. 2195480 (tech)

# 2195.48

## Rough



**GRAFF**<sup>®</sup>  
CUTTING EDGE DESIGN