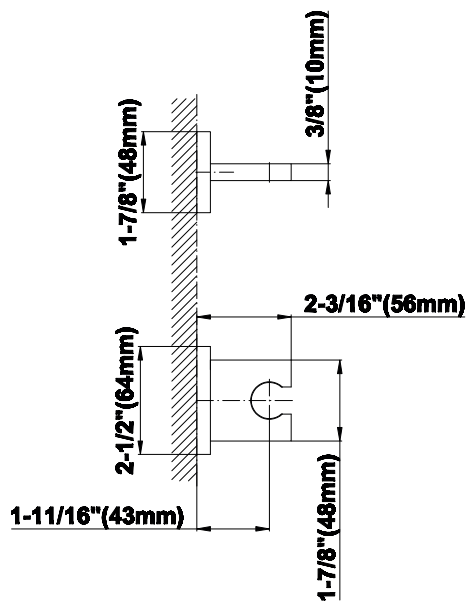


440.2290617 (tech)

# 2290.61



**GRAFF**<sup>®</sup>  
CUTTING EDGE DESIGN

