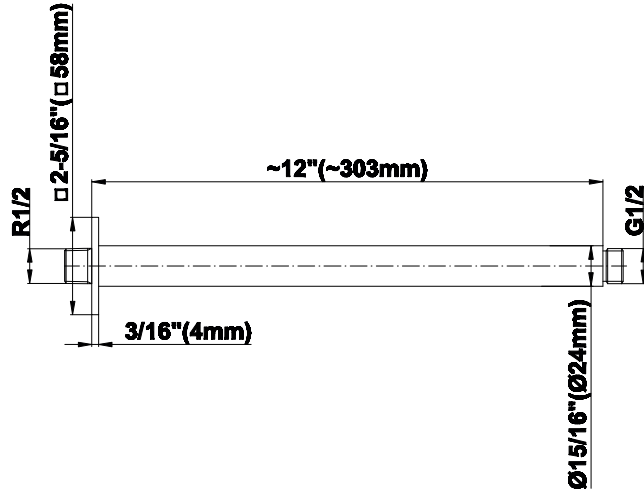


440.2385100 (tech)

2385.10



GRAFF[®]
CUTTING EDGE DESIGN

