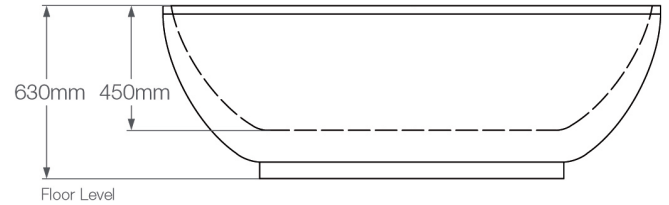
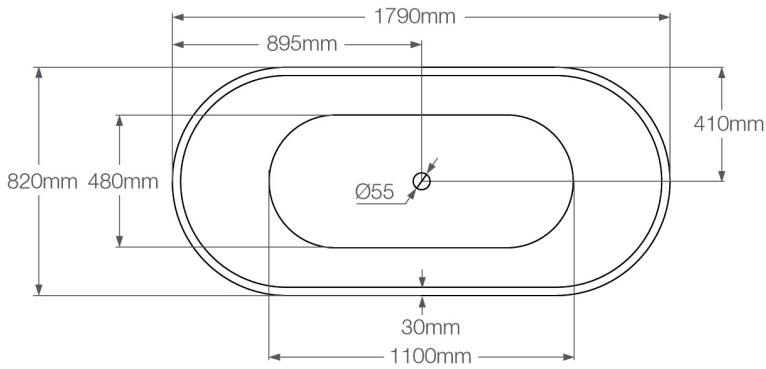


Everton (tech)



General Specification

Litres to overflow: 200 litres

Weight: 50kg

Weight (with water): 250kg

Tap Holes: No tap holes, suitable for freestanding or wall mounted taps